



FLEX - MINI

10.1" POS Terminal

Model: U58-FLX-MINI



SMALLER THAN IT LOOKS, MORE POWERFUL THAN YOU CAN IMAGINE

Note: Information and specification are subject to change without prior notice

Basic Specification

Display	TFT LCD	10.1" (16:9 diagonal) inch configuration
	Number of Pixel	1280 RGB (H) x 800 (V)
	Touch Screen	10" Projected Capacitive touch
System	CPU	Intel® Pentium® Processor N3710
	Memory	DDR3L 1600 4GB Standard
	Storage	120GB M.2 2242 SSD TLC
Thermal printer	Paper roll dia. width 58/80mm ,170 mm/s, out of paper sensor, auto cutter	
Device I/O	USB	5 , 2 x USB 3.0 + 3 x USB2.0
	Add-on Module Slot	1
Stand I/O	USB	2 x USB2.0
	LAN	1 x 10/100Mbps
	Cash drawer	1 x RJ11
	COM port	2 x RJ45 (0V / 5V / 12V selection by Jumper setting ,default 0V)
	DC in	1 x 24V DC
Speaker	High quality speaker	2W×2
Power	AC/DC adapter	24V/100W adapter
Optional Peripherals	NFC	13.56 MHz
	Scanner	2D Barcode scanner
	MSR	3-Track MSR module
	Second display	7" or 10" LCD display
Wireless Communication	Wi-Fi	802.11 b/g/n (option)
	Bluetooth	BT4.0 (option)
Physical Button	Power button	1
LED Indicator	Green LED	1

Detail Specification

Hardware

CPU

- Intel® Pentium® Processor N3710(2M Cache, up to 2.56 GHz)

Graphics

- Intel® HD Graphics Gen8

Audio

- Realtek ALC282

System Memory

- 4GB DDR3L SDRAM

Internal Storage Memory

- 120GB M.2 2242 SSD TLC

LCD

- 10.1" 1280 x 800 digital TFT LCD
- Luminance 500 nits

Touch Panel Type

- 10 point capacitive multi-touch type

Speaker

- Speaker unit: 2W+2W

Clock Battery (for RTC)

- Lithium-ion non-rechargeable coin battery

LED

- [power supply ON] , and [power supply OFF] modes are supported.
- Power supply ON: Green light
- Power supply OFF: LED light off
- Sleep mode: Green light flashes

Wireless Communication Specification

- Wi-Fi: IEEE 802.11b/g/n (option)
- Bluetooth 4.0 (option)

Device external Interface

- USB interface:
 - USB host type A port USB 2.0 x 3
 - USB host type A port USB 3.0 x 2
- Power button
- Add-on Module Slot

Stand external Interface

- USB interface:
 - USB host type A port USB 2.0 x 2
- RS232 interface:
 - RJ45 type x 2 (0V / 5V / 12V selection by Jumper setting ,default 0V)
- Cash drawer interface:
 - RJ11 type x1 (support 12V/24V)
- Ethernet RJ45 10/100 Mbps

Peripheral (optional)

- MSR module
- 2D Barcode scanner module
- NFC module
- 7" / 10" second display

U58-FLX-MINI POS

OPTIONS



Case Outlook

- Front



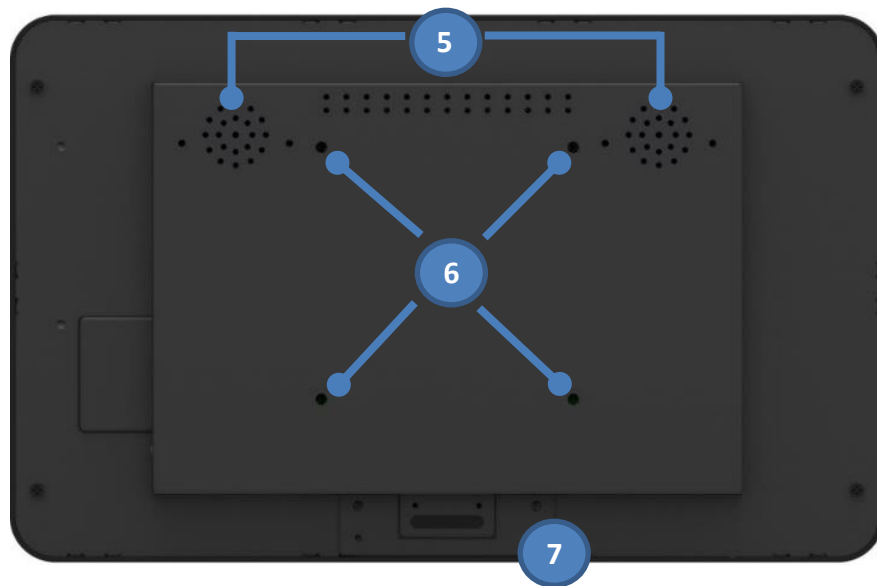
1. Thermal printer control panel
2. Thermal printer cover release button

-Top



3. Second 7" / 10.1" LCD display (optional)
4. Second display holder (optional)

-Device Back



- 5. Speakers
- 6. VESA mounting holes (75x75mm)
- 7. Add-on Module Slot

- Device Bottom



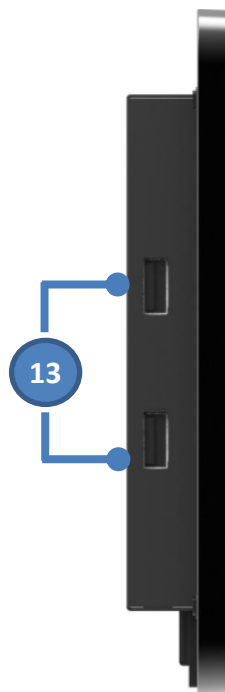
- 8. USB 3.0 type A

-Device Right



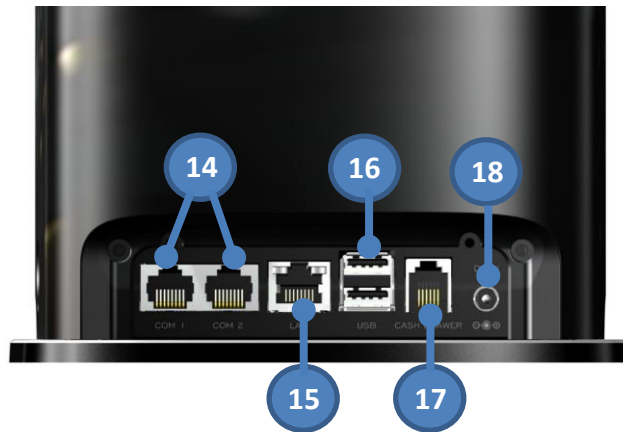
- 9. USB 3.0 type A
- 10. USB 2.0 type A
- 11. Power button
- 12. LED Indicator

- Device Left



- 13. USB 2.0 type A x 2

-Stand Back



- 14. RS232 RJ45 type x 2
- 15. LAN port
- 16. USB 2.0 type A x 2
- 17. Cash drawer RJ11 type x 1
- 18. DC in

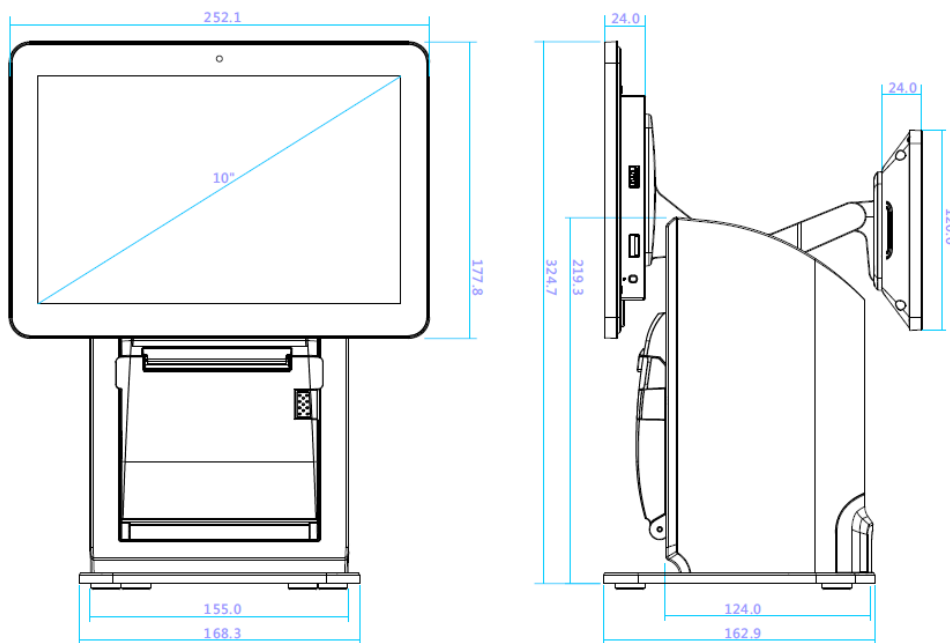
Case Dimensions

- The case dimension:

Width: 252.1mm

Height: 329.7mm

Depth: 162.9mm (without second display)



Weight

- 3.62kg (main body and second display, excluding AC adapter)

Housing Design

- Body and cover are in black color.

Housing Material

- Body: Metal
- Stand: Plastic

Power

- CE, FCC,CCC,PSE,TUV.. certified
- Energy Efficiency Rating:
 - DOE 2013 Level VI
- Power spec.:
 - Input: AC 100-240Vac,2.8A; 50-60Hz
 - Output: DC 24Vdc/4.17A

Environmental Correspondence

- ROHS

Shipment Form

- **Appended goods**
 - AC power adapter x1
 - Power cord x1
 - RJ45 to RS232 Cable x2



Software

OS

- Windows Embedded POSReady 7 (64bit)
- Windows Embedded Industry 8.1 (64bit)
- Windows 10 IoT (64bit)
- Linux